

CLASSY SERIES

CLASSY RECESSED FIXED DOWNLIGHT TRIM

Mono IP44/IP65 **CE**

The Classy Series is a multi-head modular downlight series available in Trimless, Trim, and Surface-mounted versions. It comes with fixed, adjustable long and short snoots, wall wash, and spotlight optics, making it suitable for use in a wide range of applications, including residential areas, shopping malls, high-end stores, offices, restaurants, bars, museums, art galleries, showrooms, and exhibition centers. The luminaire features an aluminum forged heatsink, powder-coated steel trims, a die-cast plastic snoot baffle, and interchangeable LED light engines based on wattage requirements.



FEATURES

FINISH	White, Black
RATED POWER	9W, 10W, 12W, 14W, 18W
WORKING CURRENT	250mA (9W), 800mA (10W), 350mA (12W), 350mA (14W), 500mA (18W)
RADIANCE ANGLE	6°, 13°, 15°, 24°, 31°, 36°, 50°
MOUNTING	Ceiling recessed
CONNECTION	Indoor rated connections
LAMP LIFE	50,000 Hrs
DIMENSION	115 x 115mm(ST1), 206 x 115mm(ST2), 297 x 115mm(ST3)
OPERATING TEMP	-20° C - +50° C
CONTROL	On/Off, Dali

BRIDGELUX/CREE
LED Quality

250mA/350mA/500mA/800mA
Working Current

9W/10W/12W/14W/18W
Rated power

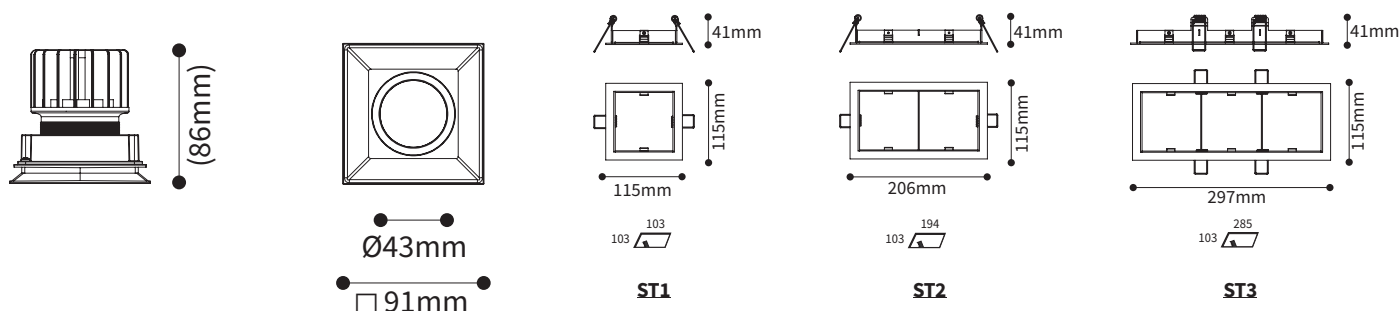
ELECTRICAL DATA

SUPPLY VOLTAGE	220-240VAC
COLORS	2700K, 3000K, 4000K, Tunable white (2700-6500K), Dim to warm (1800-3000K)
CRI	90+
LUMEN	9W - 866-1047lm (Tunable White), 10W - 774lm, 12W - 36-1265lm (Dim to Warm), 14W - 1193lm, 18W - 2140lm

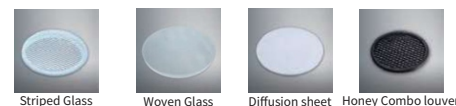
LIGHT ENGINE



DIMENSIONS



ACCESSORIES



ORDERING LOGIC

PRODUCT	SNOOT	WATTAGE	COLOR TEMPERATURE	CONTROL	BEAM ANGLE	FINISH	ACCESSORIES	IP RATING
CSY-R-FD-TM	ST1 - Snoot-T1	9 - 9W (TW)	(CT27) 2700K	ND - ON/OFF	6 - 6° (10W only) LE-35	BK - Black	SG - Striped Glass	44 - IP44
	ST2 - Snoot-T2	10 - 10W	(CT30) 3000K	DA - Dali	13 - 13° (LE-35-DW, LE-35-TW)	WH - White	HC - Honey Combo louver	65 - IP65
	ST3 - Snoot-T3	12 - 12W (DW)	(CT40) 4000K	Tunable White (2700-6500K) Dim to Warm (1800-3000K)	15 - 15° (LE-36, LE-37)	DS - Diffusion sheet	WG - Woven Glass	NO - No Accessory
		14 - 14W (TW)	24 - 24° (LE-36, LE-37)					
		18 - 18W (DW)	31 - 31° (LE-35-DW, LE-35-TW)					
					36 - 36° (LE-36, LE-37)			
					50 - 50° (LE-36, LE-37)			

Sample: CSY-R-FD-TM - ST1 - 10 - CT27 - ND - 6 - BK - SG - 44