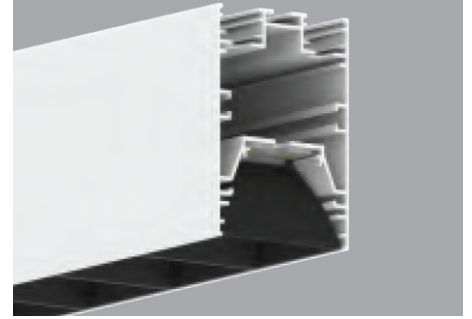


APERTURE-44 ECO ANTIGLARE

APR44 ECO AG

Mono IP20 CE

YYZ Aperture 44 ECO is a suspension ceiling mounted luminaire with extruded aluminium housing, with PMMA diffuser as optic. Ideal for varied commercial spaces, particularly for office lighting applications.



FEATURES

| | |
|----------------|------------------------|
| HOUSING | Extruded aluminium |
| FINISH | White, Grey, Black |
| BEAM ANGLE | 80° |
| MOUNTING | Pendant mounting |
| OPTIC | PMMA Milky, PMMA Black |
| DIMENSIONS | 240x44x64mm |
| OPERATION TEMP | -20° C - +50° C |
| LAMP LIFE | 50,000 hrs |
| CONTROL | On/Off, Dali, 1-10V |
| LUMEN | 70lm/W |

CREE/SAMSUNG
LED Quality

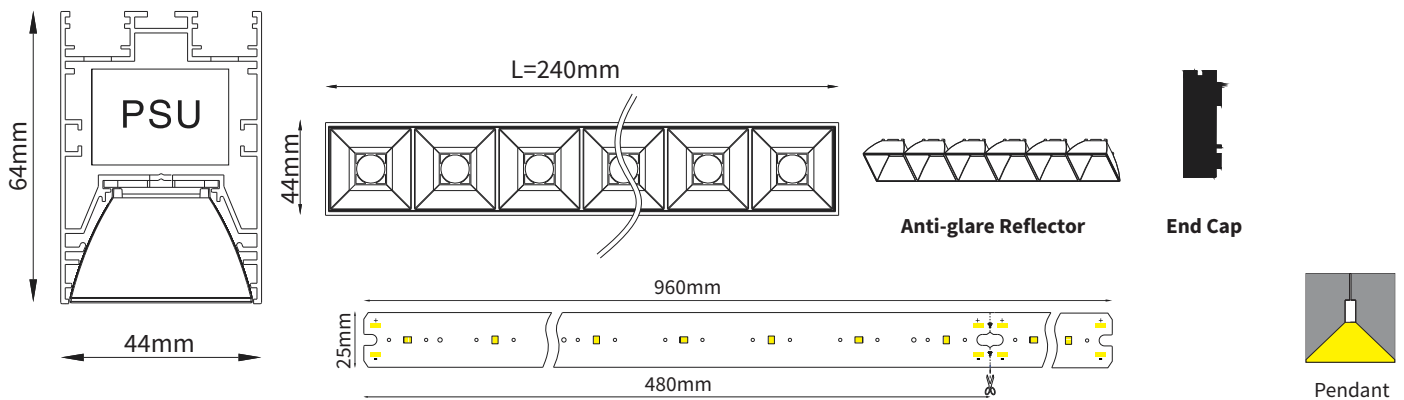
220-240V AC
Working Voltage

24W/960mm
Rated power

ELECTRICAL DATA

| | |
|-------------|---------------------|
| RATED POWER | 24W/960mm |
| COLORS | 3000K, 4000K, 5000K |
| CRI | 90 |

DIMENSION



ORDERING LOGIC

| PRODUCT | WATTAGE | COLOR TEMPERATURE | DRIVER | FINISH |
|--------------|----------------|-------------------|-------------------|------------|
| APR44 ECO AG | 24 - 24W/960mm | (CT30) | 3000K SW - ON-OFF | WH - White |
| | | (CT40) | 4000K AN - 0-10V | BK - Black |
| | | (CT50) | 5000K DA - DALI | GR - Grey |

Sample: APR44 ECO AG - 24 - CT27 - SW - WH