

# MARVEL SQUARE TRIM

## MRL SQ2 TR

**Mono** IP20/IP44 **CE**

YYZ Marvel series is with exquisite physique and the adjustable angle design of the spotlight enable it to exert the anti glare effect to the extreme in various spaces. Higher degree of integration with space and hence can be applicable in areas like office, kitchen, cloakroom & living room.

### FEATURES

BODY	Aluminum
FINISH	White
WORKING CURRENT	350mA, 500mA, 600mA, 700mA, 900mA
RATED POWER	15W, 20W, 25W, 30W, 36W
BEAM ANGLE	15°, 24°, 38°, 60°
LAMP LIFE	50,000 hrs
MOUNTING	Ceiling recessed
DIMENSIONS	136x136x145mm(Cutout 125x125mm)
OPERATION TEMP	-20° C - +50° C
CONTROL	On/Off, 1-10V, Phase, Dali, Bluetooth



CITIZEN  
LED Quality

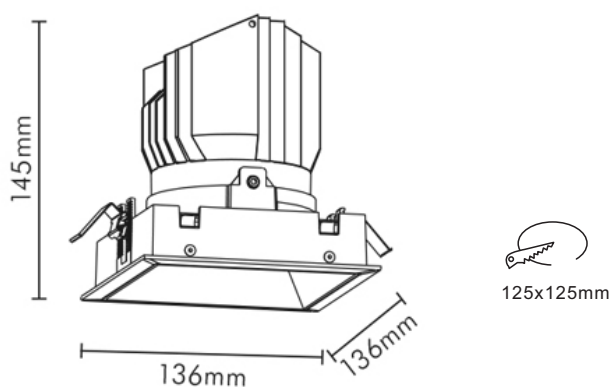
350mA/500mA/600mA/700mA/900mA  
Working Current

15W/20W/25W/30W/36W  
Rated power

### ELECTRICAL DATA

POWER CONSUMPTION	15W, 20W, 25W, 30W, 36W
SUPPLY VOLTAGE	100-240Vac
COLORS	2700K, 3000K, 4000K
CRI	80, 90
LUMEN	75-102lm
SDCM	3

### DIMENSIONS



### ORDERING LOGIC

PRODUCT	WATTAGE	COLOR TEMPERATURE	BEAM ANGLE	FINISH	REFLECTOR COLOR
MRL SQ2 TR	15 - 15W	(CT 27) 2700K	15 - 15°	WH - White	WH - White
	20 - 20W	(CT 30) 3000K	24 - 24°		BK - Black
	25 - 25W	(CT 40) 4000K	38 - 38°		GD - Gold
	30 - 30W		60 - 60°		
	36 - 36W				

Sample: MRL SQ2 TR - 15 - CT27 - 15 - WH - WH