

AVALANCHE-120RGBW

AVL 120RGBW



YYZ Avalanche series is a Surface mounted flood luminaire with very low glare rating while reducing light pollution and specially designed for landscapes and in unique structure design shapes. They are made up of die-cast aluminum body and housing covered by anti-corrosion resistant with marine grade stainless steel. It can achieve the desired effect in a wide range of applications and can be applicable in highlighting architectural facades, landscapes, trees, etc



FEATURES

MATERIAL	Die-cast aluminum
FINISH	Black /White
RATED POWER	15W, 24W, 30W
WORKING VOLTAGE	24V DC, 100~277V AC, 50/60Hz
BEAM ANGLE	3°/7°/15°/40°/60°
MOUNTING	Surface mount
CONNECTION	Outdoor rated connections
LAMP LIFE	50,000 hrs
DIMENSIONS	Ø120 x 100 x 188 mm
OPERATION TEMP	-30° C - +50° C
STORAGE TEMP	-20° C - +50° C
CONTROL	DMX

CREE/LUMILEDS
LED Quality

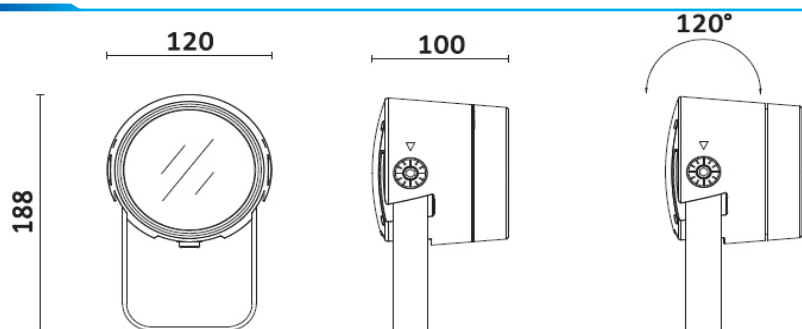
24V DC / 100~277VAC
Working Voltage

15W/24W/30W
Rated power

ELECTRICAL DATA

POWER CONSUMPTION	15W, 24W, 30W
SUPPLY VOLTAGE	100~277V AC, 50/60Hz
CRI	85+
COLORS	RGBW
LUMEN	85-95lm/W

DRAWING



ORDERING LOGIC

PRODUCT	WATTAGE	COLOR TEMPERATURE	INPUT VOLTAGE	OPTIC	FINISH	CONTROL	ACCESSORIES
AVL 120RGBW	15 - 15W	(RGBW) RGBW	DC - 24V DC AC - 100~277VAC	3 - 3°	BK - Black WH - White	DM - DMX	HCL - Honey Louver CWL - Cowl
	24 - 24W			7 - 7°			
	30 - 30W			15 - 15°			
				40 - 40°			
				60 - 60°			

Sample: AVL 120RGBW - 15 - RGBW - DC - 3 - BK - DM - HCL