

FALCON C SERIES

FCN-D

IP20

Falcon D series lowbay features linear profile to cover lighting of larger open space and aisle applications. Constructed in high quality extruded aluminum structure for excellent thermal performance with polycarbonate diffuser as optic to provide soft and comfortable illumination. Application areas include; sports hall, gymnasium, multipurpose halls, industrial spaces, warehouse applications.



FEATURES

FINISH	White
LAMP LIFE	L80 B50, 100,000Hours
MOUNTING	Surface mounted
CONNECTION	Indoor rated connections
DIMENSIONS	610, 1180x175, 330x70mm
BEAM ANGLE	120°
OPERATION TEMP	-20° C - +50° C

ELECTRICAL DATA

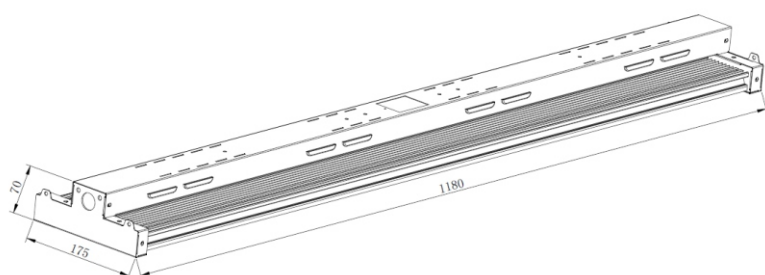
POWER CONSUMPTION	80W, 100W, 140W, 150W, 160W, 200W
SUPPLY VOLTAGE	220-240V AC 50-60Hz
CRI	>80
COLORS	3000K, 3500K, 4000K, 5000K
LUMENS	130 lumen/watt

PHILIPS, EPISTAR, NICHIA, SAMSUNG, LUMILEDS, BRIDGELUX, OSRAM
LED Quality

220-240V AC
Working Voltage

80W/100W/140W/150W/160W/200W
Rated power

DIMENSIONS



ORDERING LOGIC

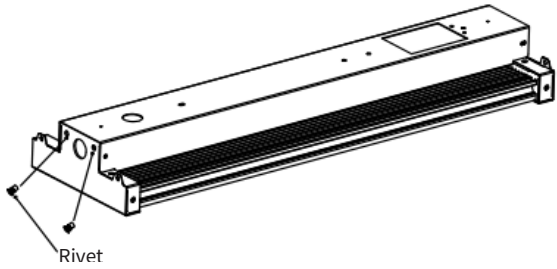
PRODUCT	WATTAGE	COLOR TEMPERATURE	INPUT VOLTAGE	FINISH	CONTROL	CUSTOM
FCN-D	80 - 80W	(CT 30) 3000K	AC - 220-240V AC	WH - White	SW - On-Off	XXX
	100 - 100W	(CT 40) 4000K				
	140 - 140W	(CT 50) 5000K				
	150 - 150W	(CT 57) 5700K				
	160 - 160W	(CTXX) CUSTOM				
	200 - 200W					

Sample: FCN-D - 80 - CT30 - AC - WH - SW - XX

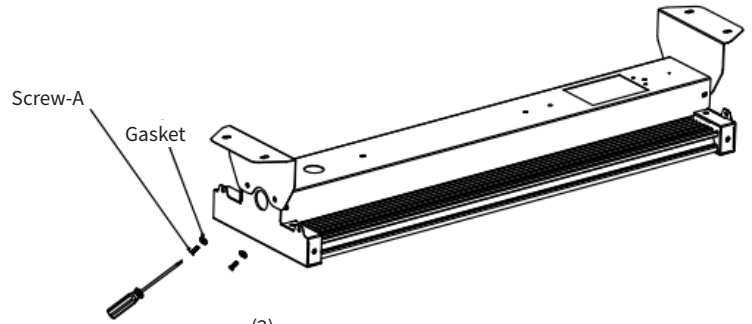
FCN-D

INSTALLATION MANUAL

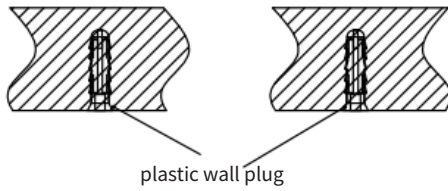
INSTALLATION FOR SURFACE MOUNTED



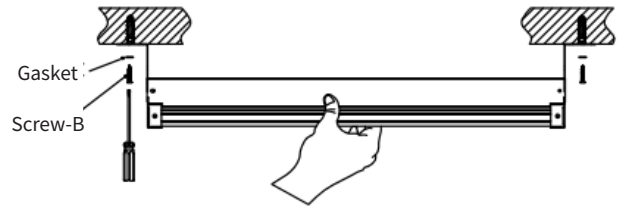
(1)
Take off the knockout, and screw the rivet on the fixture



(2)
Install the surface mount kit on the fixture



(3)
Screw the plastic wall plug on the ceiling



(4)
Screw the fixture with the surface mount kit on the ceiling