

MYRIAD TRACK LIGHT

MRD-97



YYZ Myriad track lights houses driver unit to the track adapter allowing better thermal performance and hence the light output. Options of various optics on a 1-circuit, 3-circuit adapter with wide range of dimming options makes the system versatile. The aluminum housing that facilitates efficient performance and is flexible to rotate.



FEATURES

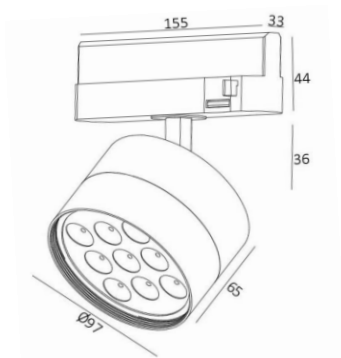
MATERIAL	Aluminum
TRIM FINISH	Black, White
RATED POWER	20W
WORKING VOLTAGE	220-240V 50/60Hz
RADIANCE ANGLE	15°, 24°, 36°, 60°
MOUNTING	Track mounted
CONNECTION	Indoor rated connections
LAMP LIFE	50,000 Hrs
DIMENSION	Ø97 x 65 x 155mm
OPERATING TEMP	-20° C - +50° C
CONTROL	On/Off, 1-10V

- OSRAM
LED Quality
- 240 VOLTS
Working Voltage
- 20 W
Rated power

ELECTRICAL DATA

POWER CONSUMPTION	20W
SUPPLY VOLTAGE	220-240VAC
COLORS	2700K, 3000K, 4000K
CRI	90
LUMEN	1464lm

DIMENSIONS



ORDERING LOGIC

PRODUCT	CONTROL	WATTAGE	COLOR TEMPERATURE	VOLTAGE	BEAM ANGLE	FINISH
MRD-97	ON/OFF 1-10V	20 - 20W	(CT27)	2700K 240VAC	15 - 15°	BK - Black WH - White
			(CT30)		24 - 24°	
			(CT40)		36 - 36°	
					60 - 60°	

Sample: MRD-97 - ON/OFF - 20 - CT27 - 240 - 15 - BK