

AREA LIGHT-R2 SPEC SHEET

ALR2



YYZ Area Light R2 series is an exceptional mixture of value and performance. The product range has been upgraded to reach very high efficacy up to 140lm/W and cover lumen packages between 8400-42000lm. The range includes 480V high voltage and various sensor versions for energy savings.

The Area Light R2 is suitable for a multitude applications such as parking lots and streets, outdoor basketball court, tennis court, badminton court, football field, school playground, stadium, walkway and building grounds.

There are different finishes to choose from Dark Bronze, Black and White. Custom colors are also available.

All fixtures include a 3 pin socket for a photocell complete with shorting cap. All fixtures also include a knock out to field install an occupancy sensor. Optional Field Installable Side and Back Shields are also available.



SPECIFICATION

AVAILABLE WATTAGES	60W, 100W, 150W, 200W, 240W, 300W
IP RATING	IP66
LUMEN MAINTENANCE	@L70: >120,000 hours
LED ENGINE	Lumileds
LED DRIVER	Tomcarline
CRI	>80
POWER FACTOR	>0.95
FREQUENCY	47-63 Hz
STANDARD SURGE PROTECTION	6kV
STORAGE TEMPERATURE	-40°C to 80°C / -40°F to 176°F
AMBIENT TEMPERATURE	-30°C to 55°C / -22°F to 131°F
AVAILABLE VOLTAGES	100-277VAC and 200-480VAC
SAFETY PROTECTION	Open circuit protection; short circuit protection, overvoltage protection comes with standard cord length of 0.5m (1.64ft)

V 100 ~ 277 VAC / 200 ~ 480 VAC
Operating Voltage

W 60W / 100W / 150W / 200W / 240W / 300W
Rated power

EPA RATING

WATTAGE / SQUARE FEET	60W / 0.267 ft ²
	100W-150W / 0.286 ft ²
	200W-300W / 0.421 ft ²

CERTIFICATIONS AND WARRANTY

CE, UL & DLC LISTED 6 year warranty

PRODUCT INFORMATION (100W)

INSTALLATION	Arm, Wall Mount Arm, Slip Fitter and Trunnion
MATERIAL	Die-cast aluminum
FINISH	Powder coat
SYSTEM POWER (W)	100
FIXTURE LUMEN OUTPUT (lm)	14000
SYSTEM EFFICIENCY (lm/W)	140

PRODUCT INFORMATION (100W)

NET WEIGHT LAMP (kg/lb)	4.00 / 8.82
GROSS WEIGHT CARTON (kg/lb)	4.50 / 9.92
MASTER CARTON DIMENSIONS (mm/in)	440 x 355 x 135 / 17.32 x 13.98 x 5.31
QUANTITY PER CARTON	1

Power	Beam Angle (50%)	BUG Rating
60W	N/A	N/A
100W	T2	B3-U0-G3
150W	T2	B3-U0-G3
200W	T2	B4-U0-G4
240W	T2	B4-U0-G4
300W	T2	B4-U0-G4
60W	T3	B2-U0-G2
100W	T3	B3-U0-G3
150W	T3	B3-U0-G3
200W	T3	B4-U0-G4
240W	T3	B4-U0-G4
300W	T3	B4-U0-G4
60W	T4	B2-U0-G2
100W	T4	B3-U0-G3
150W	T4	B3-U0-G3
200W	T4	B3-U0-G4
240W	T4	B4-U0-G4
300W	T4	B4-U0-G4
60W	T5	B3-U0-G1
100W	T5	B3-U0-G2
150W	T5	B4-U0-G2
200W	T5	B5-U0-G2
240W	T5	B5-U0-G2
300W	T5	B5-U0-G2

AREA LIGHT-R2 SPEC SHEET

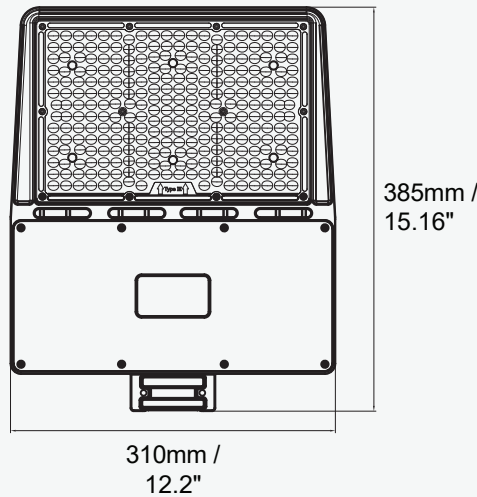
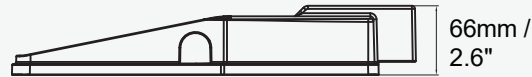
ALR2

ORDERING LOGIC

PRODUCT SERIES	WATTAGE	CRI	COLOR TEMPERATURE	DIMMING	VOLTAGE	FINISH	MOUNTING	WATTAGE-LUMENS	ACCESSORIES
ALR2	60 - 60W	80	(CT 30) 3000K	DIM10 - 0-10V	UNV - 100-277V	DB - DARK BRONZE (Standard)	AR - ARM	100W-140L - 100W-14000lm	NA - NO ACCESSORIES
	100 - 100W		(CT 40) 4000K		HV - 200-480V	BK - BLACK	WAR - WALL MOUNT ARM		PC - PHOTOCELL
	150 - 150W		(CT 50) 5000K			WH - WHITE	SF - SLIP FITTER		PCS - 7PIN PHOTOCELL SOCKET (UNV ONLY)
	200 - 200W						TRN - TRUNNION		SPDO - 10KV SURGE PROECTION
	240 - 240W								OS - MICROWAVE OCCUPACNY SENSOR
300 - 300W						RC - REMOTE CONTROL	BS - BACK SHIELD	SS - SIDE SHIELD	

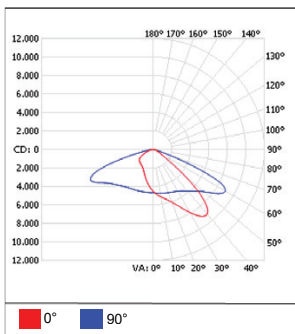
Sample: ALR2-60-80-CT30-DIM10-UNV-DB-AR-100W-140L-NA

DIMENSIONS

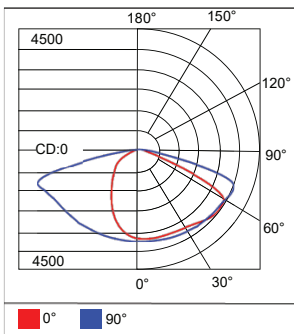


DIAGRAM

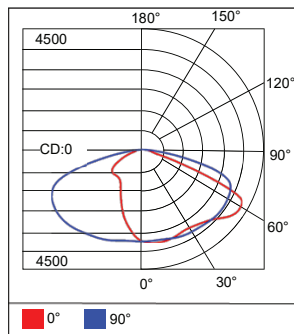
100W-T2-4000K-CRI80



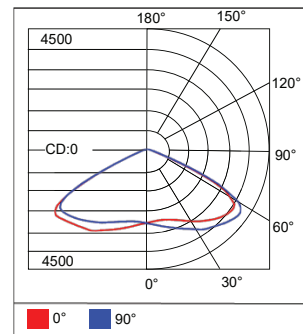
100W-T3-4000K-CRI80



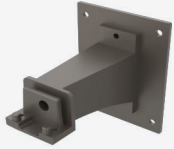
100W-T4-4000K-CRI80



100W-T5-4000K-CRI80



MOUNTING OPTIONS



Wall Mount Arm



Arm

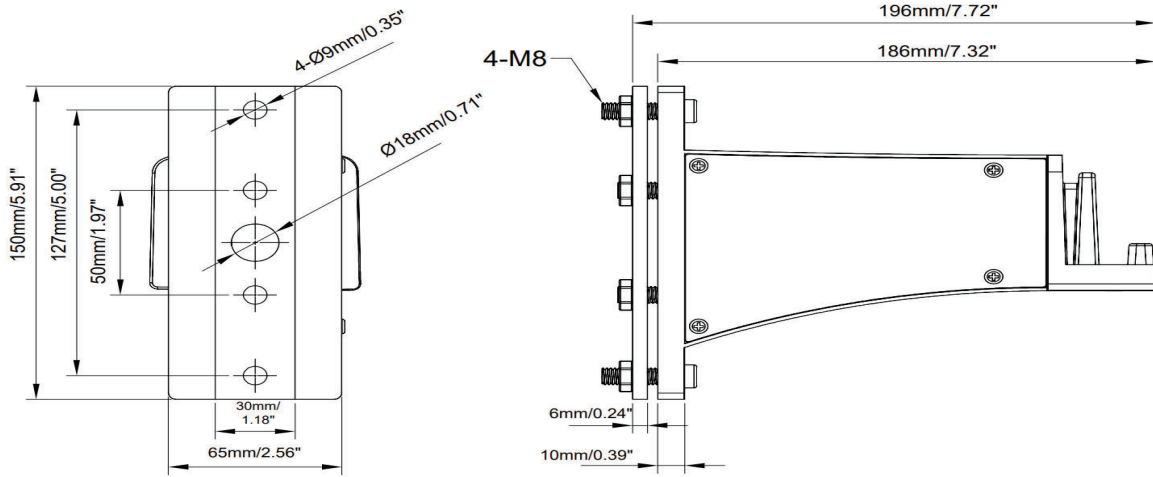


Slip Fitter

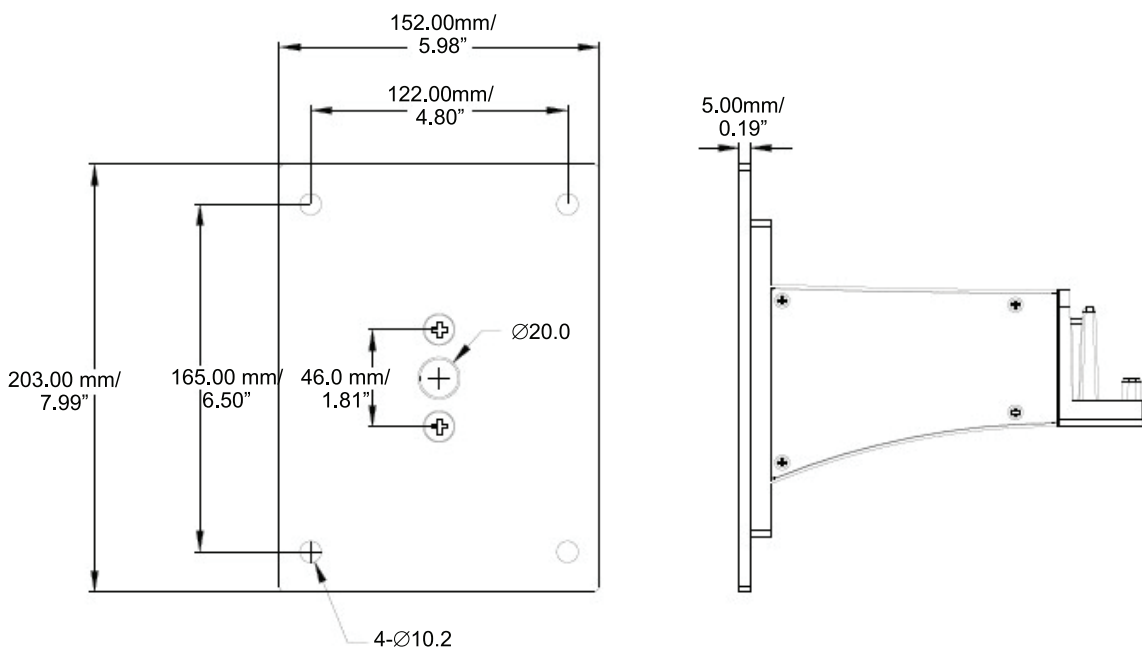


Trunnion

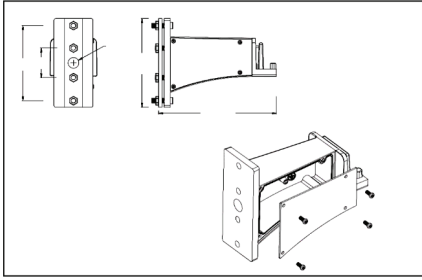
ARM DIMENSIONS



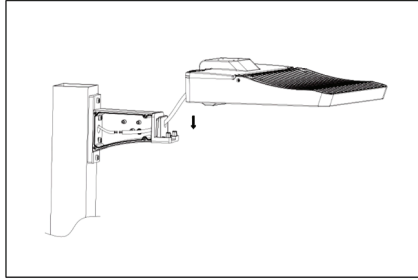
WALL MOUNT ARM DIMENSIONS



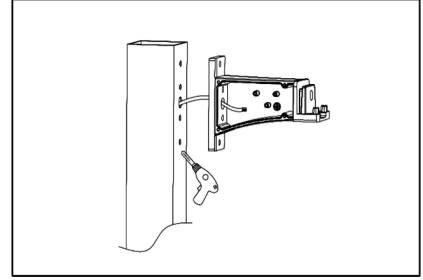
INSTALLATION - ARM MOUNTING FOR SQUARE POLE



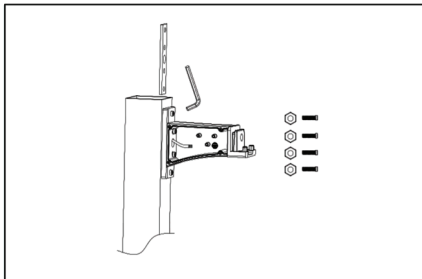
1. Remove the screws from the mounting arm and move the cover plate.



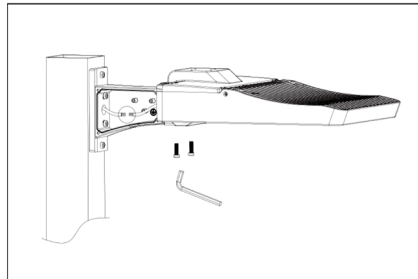
2. Drill holes in the pole corresponding to the holes on the mounting arm, at the position you want to install the fixture, then bring in the electric supply line through the middle hole into the mounting arm. fitter bracket



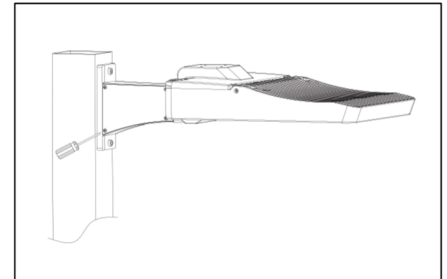
3. Put the bracket reinforcement board in the lamp square pole and fix the bracket on the lamp pole through tight four M8 screws fitter bracket



4. Bring in the power line through the hole into the arm and fix the luminaire on the mounting arm fitter bracket .

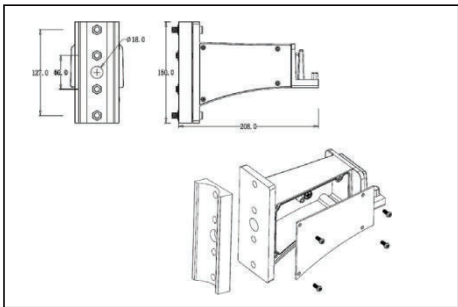


5. Tighten 2 M6 screws and then connect power supply AC 100V-277V.

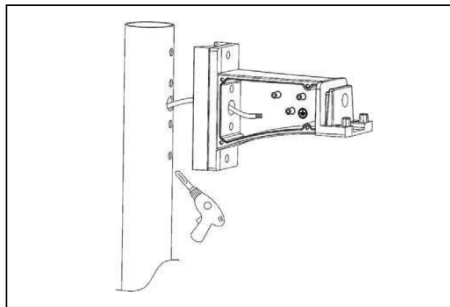


6. Close the arm cover plate through locking 4 M4 screws.

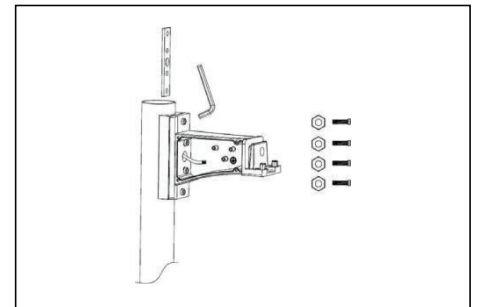
INSTALLATION - ARM MOUNTING FOR ROUND POLE



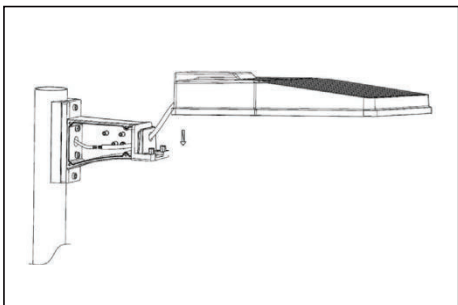
1. Remove the screws from the round mounting arm and move the cover plate.



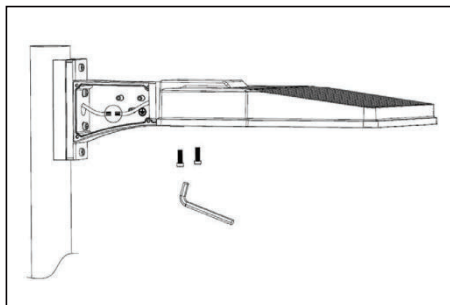
2. Drill holes in the round pole corresponding to the holes on the mounting arm, at the position you want to install the fixture, then bring in the electric supply line through the middle hole into the mounting arm.



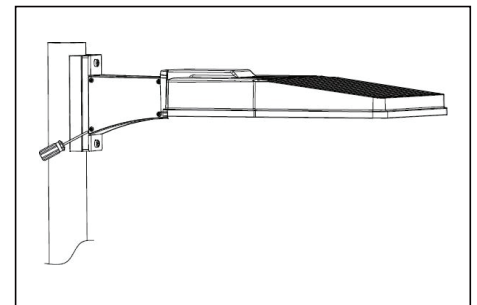
3. Put the bracket reinforcement board in the lamp round pole and fix the bracket on the lamp pole through tight four M8 screws.



4. Bring in the power line through the hole into the arm and fix the lamp on the mounting arm.

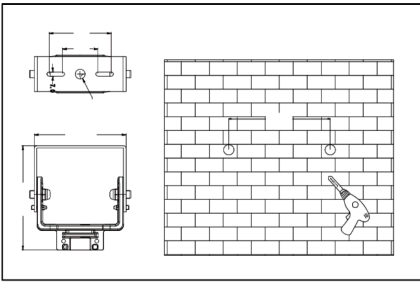


5. Tighten 2 M6 screws and then connect power supply AC 100V-277V.

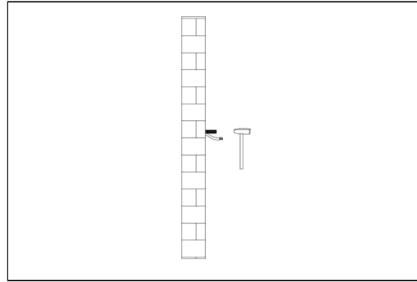


6. Close the arm cover plate through locking 4 M4 screws.

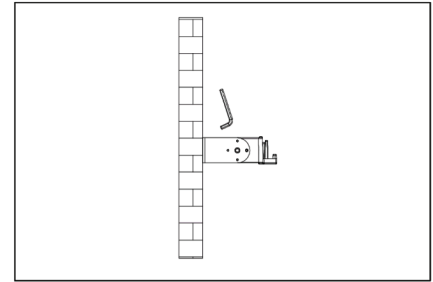
INSTALLATION - TRUNNION MOUNTING



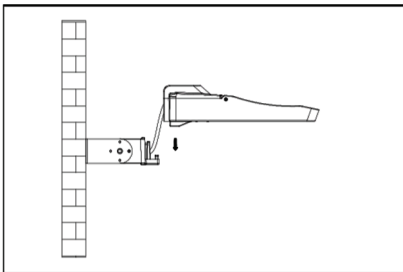
1. Drill two holes in the wall corresponding to the holes in the mounting bracket, at the position you want to install the fixture.



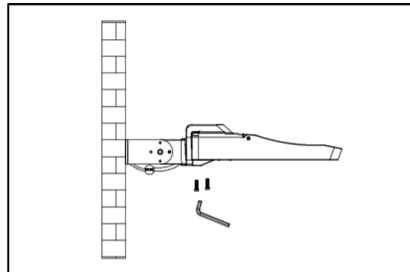
2. Install expansion screws



3. Fix the bracket tightly on the installation parts in the wall.



4. Connect the power line and attach luminaire to the bracket



5. Lock two M6 screws tightly and connect the power supply AC 100-277V.