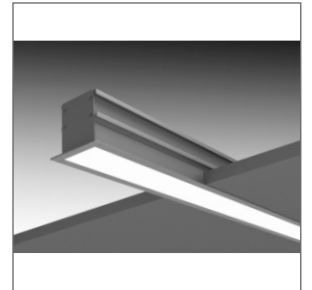


APERTURE-0.5

APR0.5

Mono IP20 CE

YYZ Aperture 0.5 is recessed architectural luminaire with housing in 100% recyclable, extruded architectural grade T6061 aluminum. It is equipped with high power LED light source and optical lens with a wide range of color temperature which provide superior color consistency and high CRI. This IP20 rated luminaire is with standard opal white or microprismatic lens diffuser.



FEATURES

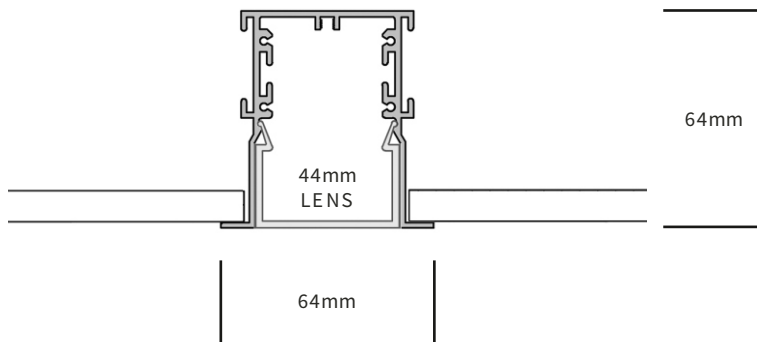
HOUSING	100% Recyclable, extruded architectural grade t6061 aluminium
BEAM ANGLE	120°
MOUNTING	Ceiling recessed
OPTIC	120°
DIMENSIONS	64x64mm
OPERATION TEMP	-20° C - +50° C
LAMP LIFE	50,000 hrs
AVAILABLE LENGTH	500mm, 1000mm, 1200mm, custom length
CONTROL	On/Off, Dali, 1-10V, Dmx

CREE/SAMSUNG
LED Quality

240V AC
Working Voltage

25W/Mtr
Rated power

DIMENSION



ORDERING LOGIC

PRODUCT	WATTAGE	CRI	COLOR TEMPERATURE	DRIVER	FIXTURE LENGTH	FINISH	
APR0.5	25 - 25W/Mtr	80	(CT27)	2700K	SW - ON-OFF	50 - 500mm	AL - Aluminium natural
			(CT30)	3000K	AN - 0-10V	100 - 1000mm	BK - Black powder coat
		90	(CT35)	3500K	DA - DALI	120 - 1200mm	WH - White powder coat
			(CT40)	4000K	DM - DMX	XX - CUSTOM	XX - Bronze powder coat
			(RGBW)	RGBW			XX - Custom
		(CTXX)	Custom				

Sample: APR0.5 - 25 - 80 - CT27 - SW - 50 - AL