

SYMPHONY ADJUSTABLE DOWNLIGHT

SNY-A

Mono IP40 CE

YYZ Symphony is a type of adjustable recessed LED downlight with quality aluminum body in powder coated, with multiple reflecting angles of anti-dazzle reflector for selection and with excellent heat sink capability. These recessed downlights with symmetrical light distribution to achieve an effective task or ambient lighting and are applicable in areas like supermarket, chain stores, shopping malls, villas, hotels, halls.



FEATURES

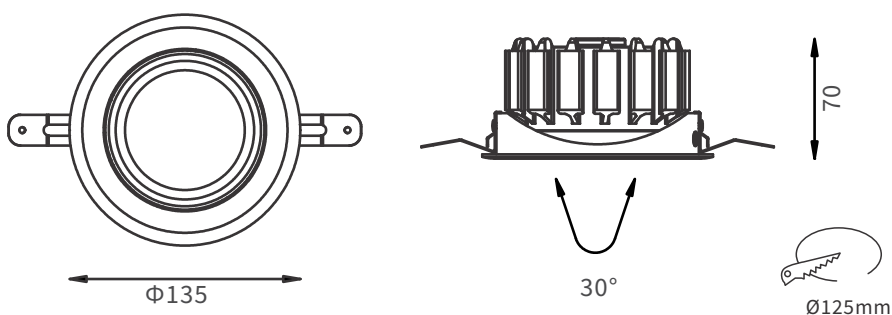
FINISH	White, Black, Silver
WORKING VOLTAGE	100-240V ac
RATED POWER	25W
RADIANCE ANGLE	15°, 30°, 45°
LAMP LIFE	50,000 hrs
MOUNTING	Ceiling recessed
CONNECTION	Indoor rated connections
DIMENSIONS	Ø135 x 70mm (cutout Ø125mm)
OPERATION TEMP	-30° C - +50° C
CONTROL	DALI, 0-10V, Triac, Non-Dimmable

- CREE LED Quality
- 240V AC Working Voltage
- 25W Rated power

ELECTRICAL DATA

POWER CONSUMPTION	25W
SUPPLY VOLTAGE	100-240V ac
COLORS	2700K, 3000K, 4000K, 5000K
CRI	90+
LUMEN	80 lm/W

DIMENSIONS



Frosted Glass



Clear Glass

ORDERING LOGIC

PRODUCT	WATTAGE	COLOR TEMPERATURE	BEAM ANGLE	FINISH	ACCESSORIES	CUSTOM	
SNY-A	25 - 25W	(CT27)	2700K	15 - 15°	WH - White	FG - Frosted Glass	xx
		(CT30)	3000K	30 - 30°	BK - Black	CG - Clear Glass	
		(CT40)	4000K	45 - 45°	SL - Silver		
		(CT50)	5000K				

Sample: SNY-A - 25 - CT27 - 15 - WH - FG - XX