

# MARIMBA SERIES

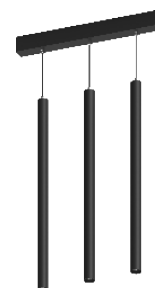
## MBA TRIO



YYZ Marimba series feature a range of multifunctional decorative pendants of timeless design with wide range of power options ranging from 5W to 15W. Three different optics with Mono, Duo, Trio configurations to complement the beam spread requirement of architecturally demanding applications.

### FEATURES

MATERIAL	Aluminum
FINISH	White, Black
RATED POWER	3x5/3x7W
WORKING VOLTAGE	220-240V 50/60Hz
RADIANCE ANGLE	Narrow, Wide
MOUNTING	Ceiling mounted
CONNECTION	Indoor rated connections
LAMP LIFE	50,000 Hrs
DIMENSION	Ø35 x 650mm
OPERATING TEMP	-20° C - +50° C
CONTROL	On/Off, Triac, 1-10V, Dali



BRIDGELUX/CREE  
LED Quality

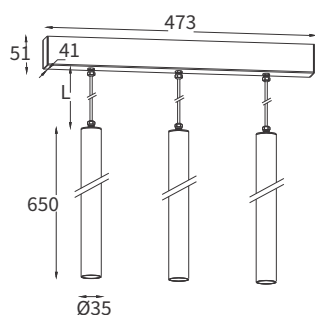
240 VOLTS  
Working Voltage

3x5/3x7 W  
Rated power

### ELECTRICAL DATA

POWER CONSUMPTION	3x5/3x7W
SUPPLY VOLTAGE	220-240VAC
COLORS	2700K, 3000K, 4000K
CRI	90+
LUMEN	75lm/W

### DIMENSIONS



### ORDERING LOGIC

PRODUCT	CONTROL	WATTAGE	COLOR TEMPERATURE	VOLTAGE	BEAM ANGLE	FINISH	ACCESSORIES
MBA TRIO	ON/OFF	3x5 - 3x5W	(CT27)	240VAC	N - Narrow	BL - Black	LSL - Linear Spread Lens
	TRIAC	3x7 - 3x7W	(CT30)		W - Wide	WH - White	SP - Spread Lens
	1-10V		(CT40)			XX - Custom	OC - Opal Cylinder
	DALI						

Sample: MBA TRIO - ON/OFF - 3x5 - CT27 - 240 - N - BL - LSL