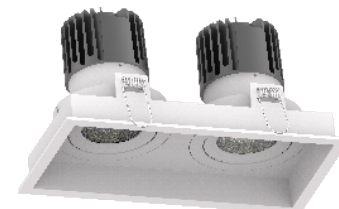


LATTICE SMALL

LTC-S

Mono IP20 CE

YYZ Lattice series comprises single or twin lamps embedded beautifully in a square themed profile (small, medium, large size) with lamps of varied beam angles to match the architectural demands. These downlights are with symmetric light distribution which enables to achieve effective ambient lighting.



FEATURES

MATERIAL	Aluminum
FINISH	White, Black
RATED POWER	2x7/2x10/2x15W
WORKING VOLTAGE	220-240V 50/60Hz
RADIANCE ANGLE	Narrow, Medium, Wide
MOUNTING	Ceiling recessed
CONNECTION	Indoor rated connections
LAMP LIFE	50,000 Hrs
DIMENSION	210 x 110 x 121mm (Cutout 203x103mm)
OPERATING TEMP	-20° C - +50° C
CONTROL	On/Off, Triac, 1-10V, Dali

LUMILEDS/CITIZEN
LED Quality

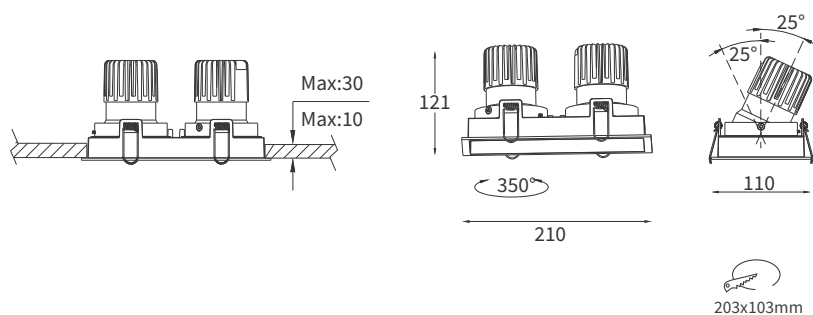
240 VOLTS
Working Voltage

2x7/2x10/2x15W
Rated power

ELECTRICAL DATA

POWER CONSUMPTION	2x7/2x10/2x15W
SUPPLY VOLTAGE	220-240V AC
COLORS	2700K, 3000K, 3500K, 4000K
CRI	90+
LUMEN	90 lm/W

DIMENSIONS



Honey Combo Louver Linear Spread Lens Spread Lens

ORDERING LOGIC

PRODUCT	COLOR TEMPERATURE	CONTROL	VOLTAGE	WATTAGE	BEAM ANGLE	FINISH	ACCESSORIES	CUSTOM
LTC-S	(CT27)	2700K	240VAC	2x7 - 2x7W	N - Narrow	BL - Black	HCL - Honey Combo Louver	xx
	(CT30)	3000K		2x10 - 2x10W	M - Medium	WH - White	LSL - Linear Spread Lens	
	(CT35)	3500K		2x15 - 2x15W	W - Wide		SL - Spread Lens	
	(CT40)	4000K						

Sample: LTC-S - CT27 - ON/OFF - 240 - 2x7 - N - BL - HCL - XX