

PEARL SERIES

PRL 130

Mono IP20 CE

YYZ Pearl series of architectural downlight features glare free performance with UGR ≤ 17 even for the ultra wide beam angle. Available in variety of sizes to accommodate wattage range from 6.5W to 28W making it versatile for applications with ceiling heights ranging from 2.8 to 10 meter.

FEATURES

MATERIAL	Die-cast aluminum
FINISH	White, Black
RATED POWER	28W
WORKING VOLTAGE	24V DC
RADIANCE ANGLE	15°, 24°, 38°
MOUNTING	Ceiling recessed
CONNECTION	Indoor rated connections
LAMP LIFE	50,000 Hrs
DIMENSION	Ø130 x 115mm (Cutout Ø120mm)
OPERATING TEMP	-20° C - +50° C
CONTROL	On/Off

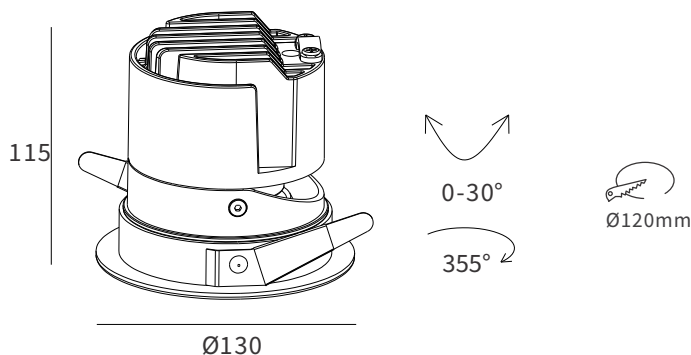


- LEDTEEN
LED Quality
- 24V DC
Working Voltage
- 28W
Rated power

ELECTRICAL DATA

POWER CONSUMPTION	28W
SUPPLY VOLTAGE	220-240V AC
COLORS	2700K, 3000K, 4000K
CRI	80, 90
LUMEN	1645 lm

DIMENSIONS



Arenaceous Silver



white



Hoarse black

ORDERING LOGIC

PRODUCT	WATTAGE	COLOR TEMPERATURE	BEAM ANGLE	FINISH	REFLECTOR FINISH	
PRL 130	28 - 28W	(CT27)	2700K	15 - 15°	BK - Black	HB - Hoarse Black
		(CT30)	3000K	24 - 24°	WH - White	WH - White
		(CT40)	4000K	38 - 38°	XX - Custom	AS - Arenaceous Silver

Sample: PRL 130 - 28 - CT27 - 15 - BK