

TORUS

TRS-200 RGB



YYZ Torus LED inground light for outdoor lighting applications. Transparent and Frosted covers / diffusers with buried mounting sleeves and accessories help to form uniform lighting. These inground LED lighting fixtures will create a beautiful ambiance and enhance the environment. The fixtures are versatile which can add a visual impact and also plays a critical role in safety apart from lighting.

FEATURES

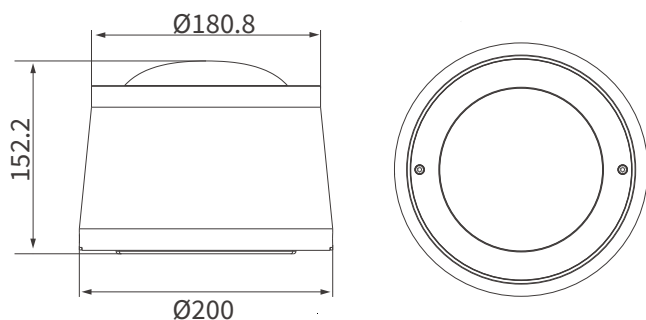
MATERIAL	STAINLESS STEEL
WORKING VOLTAGE	24V DC, 100-240V AC
RATED POWER	18/24W
BEAM ANGLE	7°/15°/30°/45°/60°/15°x60°
LAMP LIFE	50,000 HRS
MOUNTING	INGROUND SURFACE MOUNTED
DIMENSIONS	Ø200x152.2mm
OPERATION TEMP	-20° C - +50° C
BODY COLOR	STAINLESS STEEL



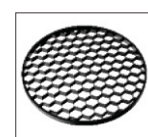
ELECTRICAL DATA

POWER CONSUMPTION	18/24W
SUPPLY VOLTAGE	24V DC, 100-240V AC
COLORS	RGB
CONTROL	DMX512
CRI	80+
LUMEN	22-25lm /W

DIMENSION



Bullseyes Louver



Honeycomb Louver

ORDERING LOGIC

PRODUCT	WATTAGE	COLOR TEMPERATURE	VOLTAGE	BEAM ANGLE	FINISH	ACCESSORIES	CUSTOM
TRS 200	18 - 18W 24 - 24W	(RGB) RGB	24 - 24V DC AC -240V AC	7 - 7° 15 - 15° 30 - 30° 45 - 45° 60 - 60° 15x60 - 15°x60°	SS - Stainless Steel	HCL - Honeycomb Louver BL - Bullseyes Louver	XX - XX

Sample: TRS 200 - 18 - RGB - 24 - 7 - SS - HCL - XX